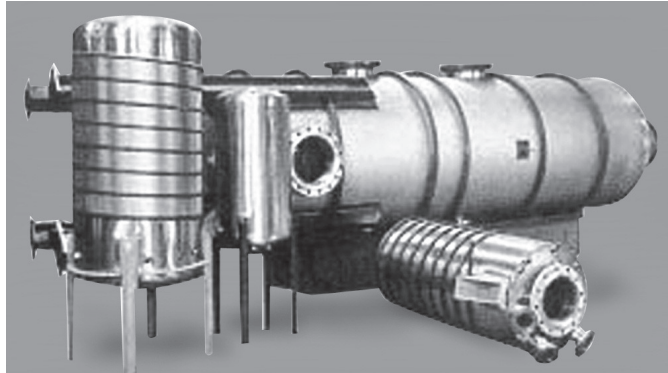


ROSS FABRICATION



In our state-of-the-art fabrication facilities, Ross builds high quality process equipment, reactors, pressure vessels and atmospheric tanks polished to exacting standards, to meet the special needs of food plants across the USA and around the world.

Our fabrication plants are ASME code certified and can provide the ASME stamp when required. Our engineers, machinists and fabrication specialists routinely meet such code requirements as USFDA, BISSC, API and UL as well as ASME. We regularly work with a broad range of materials, including 316 and 304 stainless steel, Monel, Hastelloy, titanium, Inconel and aluminum.



For jobs of virtually any size and complexity, Ross can deliver the support you need – at extremely competitive prices.

Contact Ross today for higher fabrication quality, lower costs and faster delivery – anywhere.

1-800-524-ROSS
www.StorageVessels.com



ROSS SYSTEMS & CONTROLS



From simple on/off controls to complete PLC control rooms, Ross can provide a fully integrated control system for virtually any application in your plant.

Ross control and data acquisition systems offer unprecedented accuracy, flexibility and economy in the mixing and blending process. Our systems monitor an array of process parameters while they control such essential mixing parameters as mixing time, speed, temperature and vacuum/pressure.

Ross offers a variety of choices in control designs from simple relay-operated units to prefabricated pulpit-style PLC control rooms with graphical user interfaces. Ross Systems & Controls is a member of the NFPA. The company can also provide UL-listed systems for both hazardous and non-hazardous locations.

Contact Ross today to learn more about our control systems – for mixing and virtually any other process operation.

1-866-797-2660 toll free
www.RossSysCon.com

